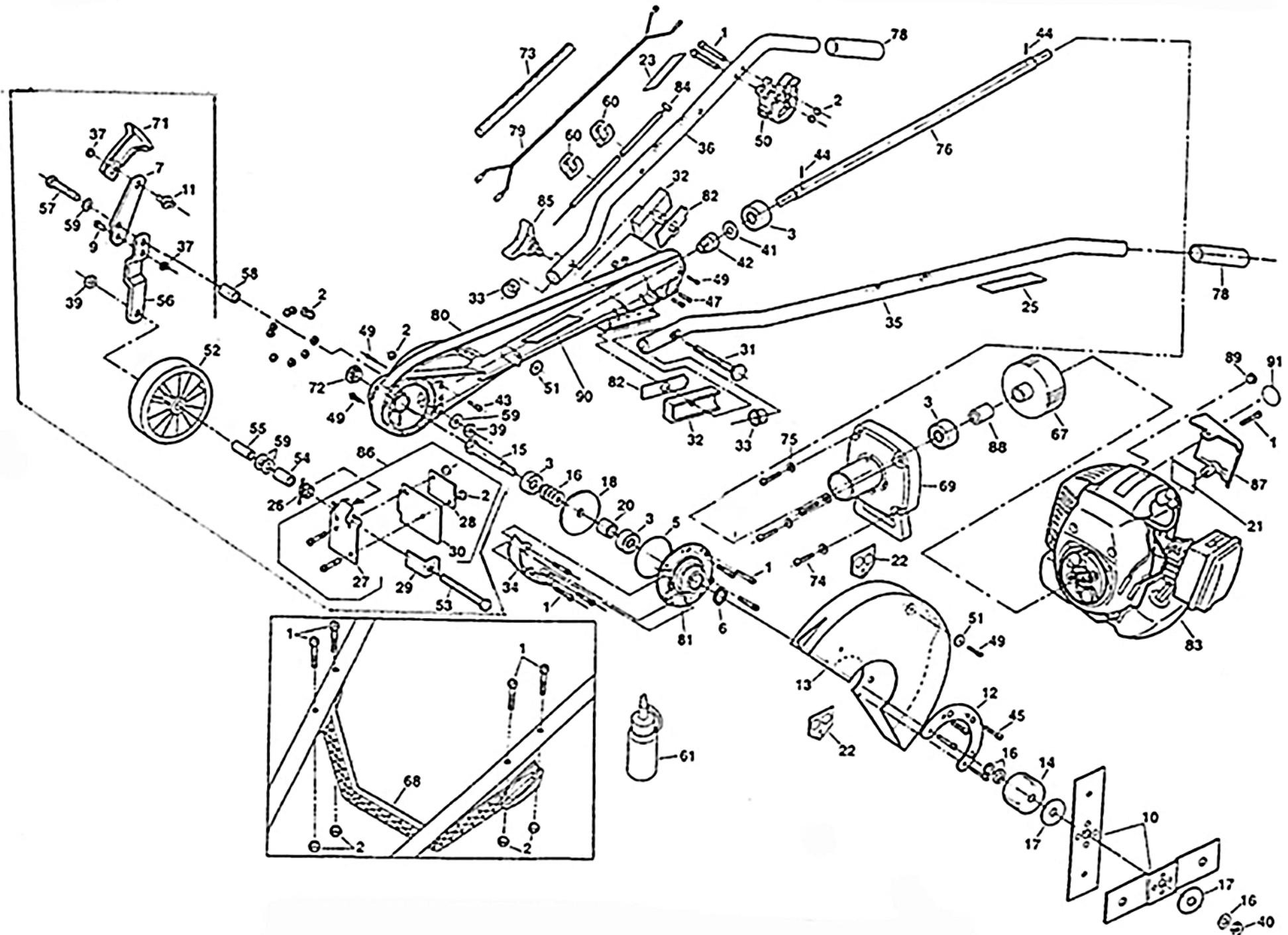


ATOM 202 PRO EDGER WITH TLE33 MITSUBISHI ENGINE



ATOM MODEL: 202 PRO EDGER with Zenoah G34L engine

PART NO: 20202

| Key | Part No | Substitute Part No | NLA | Description | Key | Part No | Substitute Part No | NLA | Description | Key | Part No | Substitute Part No | NLA | Description |
|-----|---------|--------------------|-----|----------------------------|-----|---------|--------------------|-----|---------------------------|-----|---------|--------------------|-----|------------------------|
| 1 | 40650 | | | SCREW M5x36 TORX-25 | 40 | 43173 | | | NUT M12 x 1.75 RH | 80 | 43938 | | | PRO BODY RED |
| 2 | 40652 | | | NUT NYLOC M5 | 41 | 43177 | | | WASHER PINION .060 | 81 | 43941B | | | ASSY COVER & BEARING |
| 3 | 40835 | 63474 | | BEARING 32x10x12 | 42 | 43178 | 43176 | | GEAR PINION 25.5mm | 82 | 43942 | | X | HANDLE AV RUBBER PLATE |
| 5 | 40906 | 65164 | | O-RING ID 63x2.0 | 43 | 43179 | | | SCREW TRIM COVER M5x39 | 83 | 43947A | 63869A | | ASSY ENG MITS TLE33 |
| 6 | 42112 | | X | (NLA) SEAL FELT | 44 | 43182 | | | PIN ROLL 3/16 x 11/16 | 84 | 44010 | | | ASSY CABLE 845mm |
| 7 | 43102 | | | SPRING ADJ ARM | 45 | 43183 | | | SCREW M5 x 38 | 85 | 43907 | 63488A | | ASSY HANDLE KNOB+NUT |
| 9 | 43104 | | X | (NLA) SCREW HEX 5/16 X 5/8 | 47 | 43186 | | | SCREW M5x16 | 86 | 43135 | | X | GRASS FLAP ASSY |
| 10 | 43105 | | | BLADE SET 10.2/3" (271mm) | 49 | 43188 | 43189 | | SCREW S/T M5x20 | 87 | 44000RN | | | AIR DEFLECTOR G34L |
| 11 | 43106 | | | BOLT&PIN ADJ ARM | 50 | 43196 | | | ASSY THR TRIGGER | 89 | 44001 | | | PLUG PRO AIR COWL |
| 12 | 43109 | 43484 | | BLADE WASH Use 3x43484 | 51 | 43203 | 43484 | | WASHER 22.43x5.94 | | | | | |
| 13 | 43110 | | | COVER BLADE | 52 | 43204 | | | ASSY WHEEL | | | | | |
| 14 | 43112 | | | DRUM BLADE | 53 | 43206 | 44432 | | BOLT DEB DEFL 3/8x4.1/2 | | | | | |
| 15 | 43114 | | | SHAFT BLADE EDGER | 54 | 43209 | | | SPACER WHEEL 49mm ZP | | | | | |
| 16 | 43115 | | | WASHER BLADE BEVEL | 55 | 43208 | | | TUBE WHEEL AXLE 45mm | | | | | |
| 17 | 43116 | | | PRO DRUM WASH 45x12.2x2 | 56 | 43210 | | | ARM WHEEL SUPPORT | | | | | |
| 18 | 43122 | | | CROWN GEAR PRO | 57 | 43212 | | | BOLT WHEEL 3/8x2.1/4 | | | | | |
| 20 | 43125 | | | SPACER 15.5mm | 58 | 43216 | | | SPACER HT ADJ SHAFT 35mm | | | | | |
| 21 | 43127 | 63219 | | LABEL HOT MOTOR/OIL CLEAN | 59 | 43218 | | | WASHER 3/8 ZP 20x1.8x26 | | | | | |
| 22 | 43128 | 64378 | | LABEL WARN BLADE COVER | 60 | 43225 | 63217BN | | CLIP-HANDLE CABLE & WIRE | | | | | |
| 25 | 64378 | | | LABEL WARN BLADE COVER | 61 | 43227 | | | GREASE & DISPENSER | | | | | |
| 26 | 43134 | 43719 | | SPRING DEF DEBRIS | 62 | 21775 | | | MANUAL ALL MODELS | | | | | |
| 27 | 43136 | 43135 | X | SHIELD GRASS #43135 | 67 | 43831 | | | CLUTCH DRUM PRO (SCREW T) | | | | | |
| 28 | 43137 | 43135 | X | SHIELD GR COVER#43135 | 68 | 43900 | 63020WE | | HANDLE CROSS BRACE | | | | | |
| 29 | 43138 | | X | KIT FOR METAL D/DEFL | 69 | 43902 | | | COVER PRO CLUTCH (RED) | | | | | |
| 30 | 43139 | 43135 | X | FLAP GRASS RUBBER #43135 | 71 | 43908 | 63432RNK | | ASSY WL+A 102-202/3/4/501 | | | | | |
| 31 | 43140 | | | BOLT HANDLE 5/16 x 6" | 72 | 43910 | 62936WN | | DUST CAP EDGER | | | | | |
| 32 | 43142 | 63401BS | | AV SADDLE RUBBER | 73 | 44012 | | | LOOM 400mm | | | | | |
| 33 | 43145 | | X | HANDLE END PLUG SMALL | 74 | 43914 | | | SCREW 25x6mm HEX HEAD | | | | | |
| 34 | 43155 | | | BODY MAIN SHIELD PRO | 75 | 43915 | | | WASHER | | | | | |
| 35 | 43158 | | | HANDLE MAIN LH (PRO) | 76 | 43920 | | X | (NLA)SHAFT PRO DRIVE | | | | | |
| 36 | 43159 | | | HANDLE MAIN RH (PRO) | 77 | 43928 | | | SWITCH WIRE PRO | | | | | |
| 37 | 43166 | | | NUT NYLOC 5/16 | 78 | 43922 | | X | (NLA)HANDLE GRIP RUBBER | | | | | |
| 39 | 43172 | | | NUT NYLOC 3/8 UNC w/AXLE | 79 | 43928 | | | WIRE SWITCH PRO | | | | | |

For information about the Zenoah G24L engine used on this edger go to 'Petrol Engines, Parts & Drawings'.